

- 1
- 2
- 3
- 4
- 5
- 6
- 7
- 8
- 9
- 10
- 11
- 12
- 13
- 14
- 15
- RH

GUIDE PROFILE

Polyethylene based (HMWPE) technopolymer, natural colour.

BRACKET

AlSi 304 stainless steel

FEATURES AND APPLICATIONS

GLT side guide for the side guide of products with a good stability on conveyor belts (Fig.1), without leaving traces on the containers. High molecular weight polyethylene (HMWPE) has a high wear resistance; it is particularly suitable for high-speed movements due to its low coefficient of friction. Supplied in bars of 3 meters length.

SPECIAL EXECUTIONS ON REQUEST

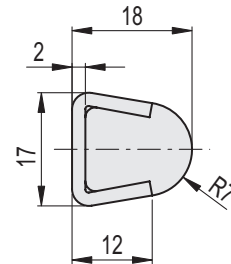
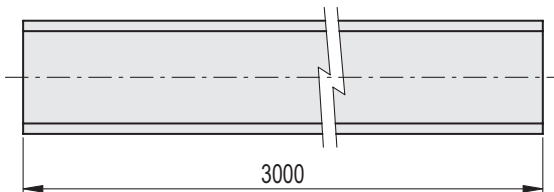
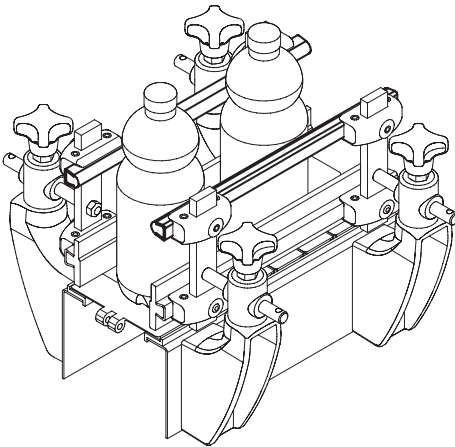
Side guides in blue colour RAL 5005.

ACCESSORIES ON REQUEST

Guide rail clamps MPG-T, MPG-2T, MPG-T-S.



Fig.1



Code	Description	⚖
419197	GLT-14R7-3000	2070